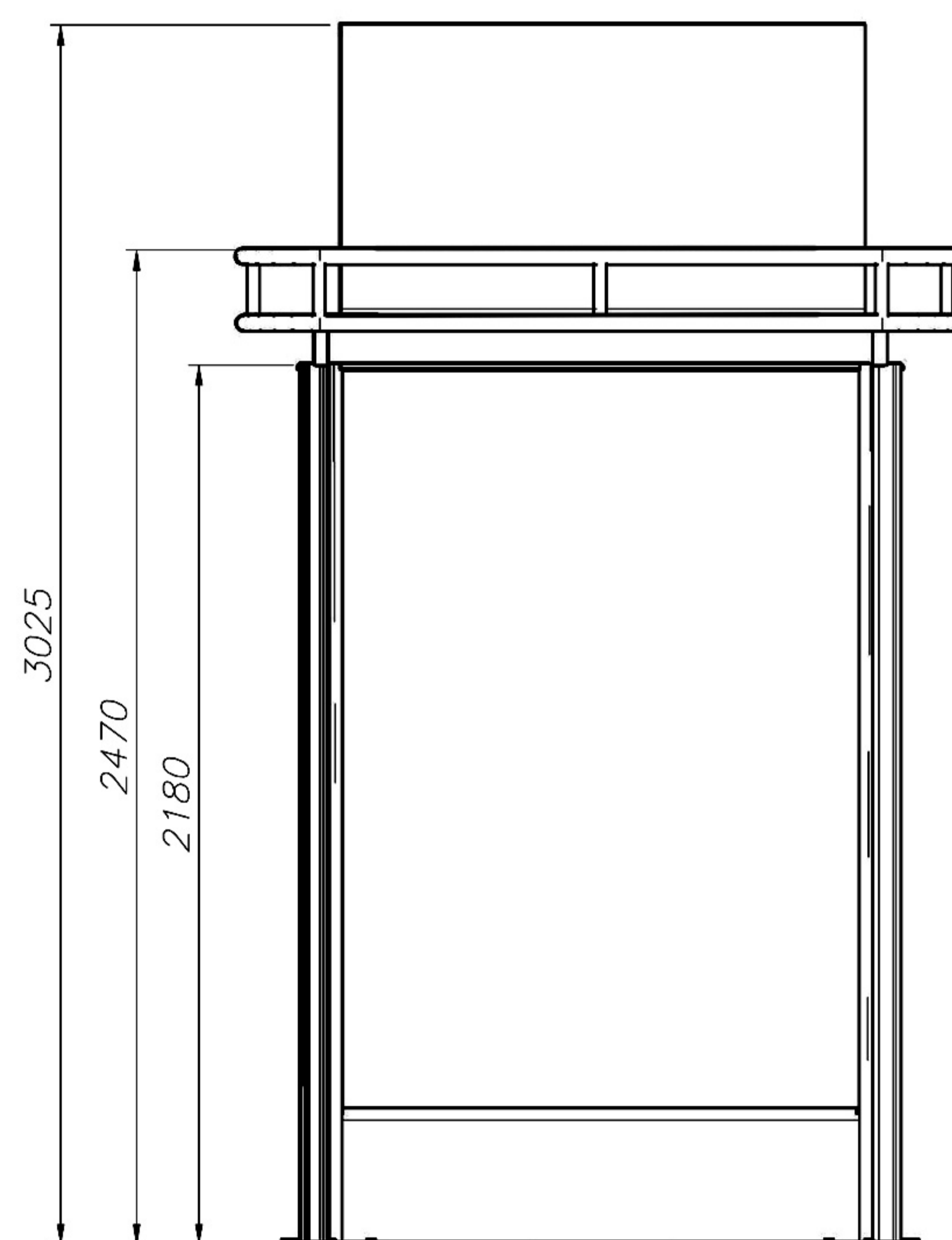
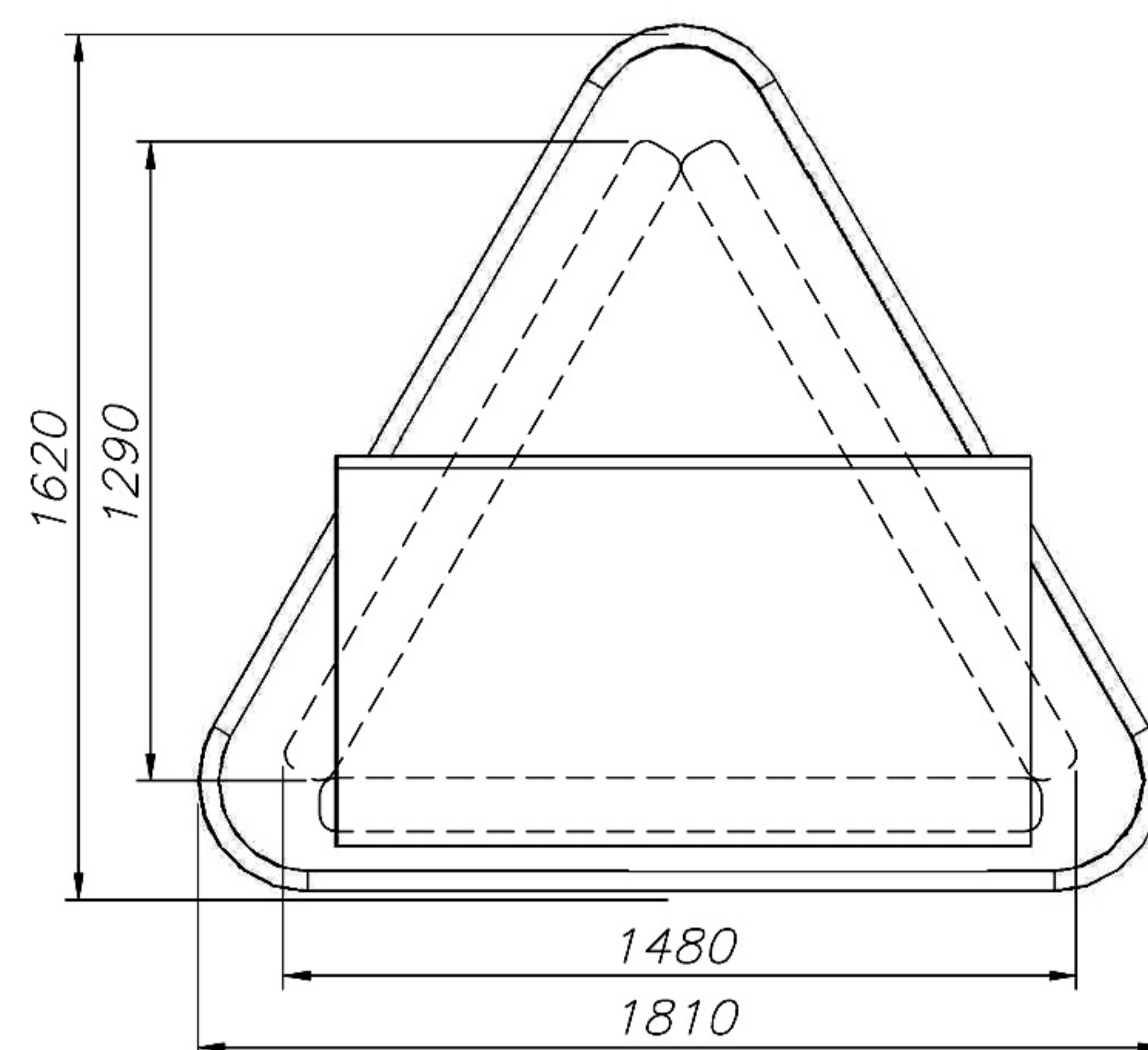


# CITY LIGHT

## TYPE 5103 - TRIPLE WITH SOLAR CELLS



*Illuminated billboard lightened with LEDs, made of aluminum profiles protected with powder coating, advertising surface protected by safety glass. Durable on all kind of weather conditions and suitable for all environments. Equipped with three advertising surfaces.*

*Dimensions (L x W x H)*

*1620 x 1810 x 3025 mm*

*Power consumption*

*36W*

*Solar power supply*

*36W*